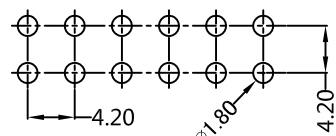
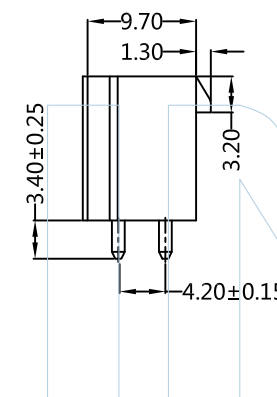
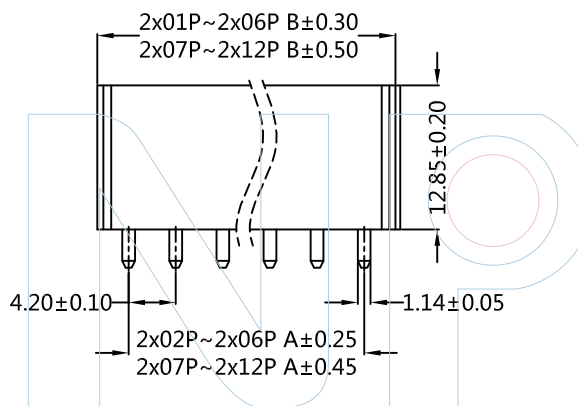
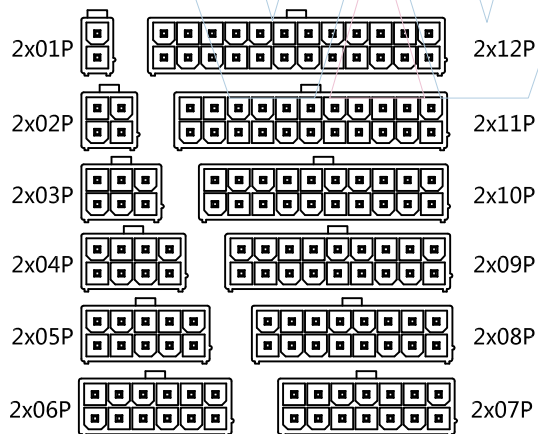
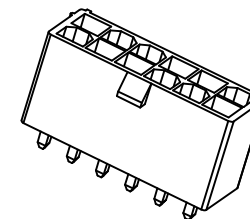
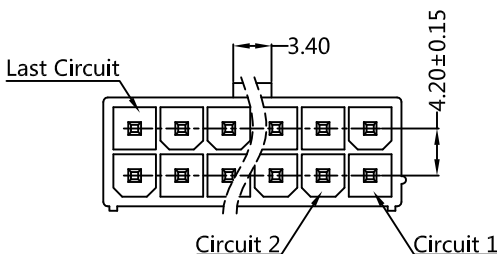




PART NUMBER CODING
W42002-2 XX S XX X X 1

No. of pins: 02-12P
 Contact plating: G0:Gold Flash, G1:3U"Gold, G2:5U"Gold, G3:10U"Gold, G4:15U"Gold, G5:20U"Gold, G6:30U"Gold, S0:Gold Flash/Tin, S1:3U"Gold/Tin, S2:5U"Gold/Tin, S3:10U"Gold/Tin, S4:15U"Gold/Tin, S6:30U"Gold/Tin, SN:Tin
 Color: W=White, B=Black
 Packing: B=PE Bag



Recommended P.C.B Layout(Top Side)
 (PCB BOARD TOLERANCE±0.05)

Pins	Dimensions	
	A	B
2*01	--	5.60
2*02	4.20	9.80
2*03	8.40	14.00
2*04	12.60	18.20
2*05	16.80	22.40
2*06	21.00	26.60
2*07	25.20	30.80
2*08	29.40	35.00
2*09	33.60	39.20
2*10	37.80	43.40
2*11	42.00	47.60
2*12	46.20	51.80



Tel: +86 769 82581808 FAX: +86 769 81766192
 E-Mail: sales@winpin.net Http: www.winpin.net

PART NO: W42002-2XXSXXXX1

TITLE: 4.20mm Wafer Dual Row 180° DIP

NOTES:
 Current Rating: 7AMP
 Voltage Rating: 600V AC/DC
 Withstand Voltage: 1500V AC/Minute
 Contact Resistance: 20mΩ Max
 Insulation Resistance: 1000MΩ Min
 Operation Temperature: -25°C ~ +85°C
 Applicable Housing: H42002 Series
 Applicable Terminal: T42002 Series

MATERIAL:
 Contact Material: Brass
 Contact Plating: Au or Sn over Ni
 Insulator Material: PA66, UL94V-2

UNLESS OTHERWISE SPECIFIED DIMENSIONS ARE IN METRIC
 TOLERANCES ARE:
 DECIMALS Angle
 X.X: ±0.40 ± 3°
 X.XX: ±0.25
 X.XXX: ±0.15

SCALE: 1:1
 UNIT: MM
 PROJ.
 SHEET

A0	2019/06/25	NEW	Myron.Yuan		Myron.Yuan
REV	DATE	MODIFICATION DESCRIPTION	DRAW	CHANGE	APPROVE